



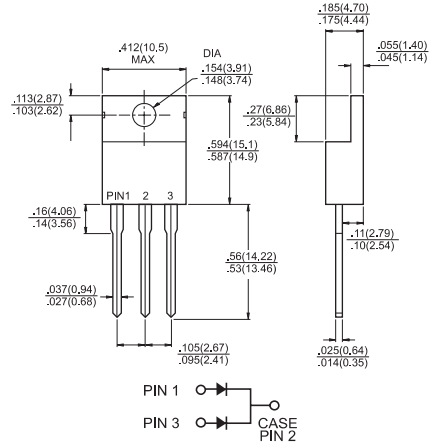
TO-220AB

Features

- ✧ Glass passivated chip junction.
- ✧ High efficiency, Low VF
- ✧ High current capability
- ✧ High reliability
- ✧ High surge current capability
- ✧ Low power loss

Mechanical Data

- ✧ Cases: TO-220AB molded plastic
- ✧ Epoxy: UL 94V-0 rate flame retardant
- ✧ Terminals: Pure tin plated, Lead free.
- ✧ Polarity: As marked
- ✧ High temperature soldering guaranteed:
260°C/10 seconds .16", (4.06mm) from case.
- ✧ Mounting position: Any
- ✧ Weight: 2.24 grams



Dimensions in inches and (millimeters)

Maximum Ratings and Electrical Characteristics

Rating at 25 °C ambient temperature unless otherwise specified.

Single phase, half wave, 60 Hz, resistive or inductive load.

For capacitive load, derate current by 20%

Type Number	Symbol	FR 1001G	FR 1002G	FR 1003G	FR 1004G	FR 1005G	FR 1006G	FR 1007G	Units
Maximum Recurrent Peak Reverse Voltage	V_{RRM}	50	100	200	400	600	800	1000	V
Maximum RMS Voltage	V_{RMS}	35	70	140	280	420	560	700	V
Maximum DC Blocking Voltage	V_{DC}	50	100	200	400	600	800	1000	V
Maximum Average Forward Rectified Current See Fig. 1	$I_{(AV)}$	10							A
Peak Forward Surge Current, 8.3 ms Single Half Sine-wave Superimposed on Rated Load (JEDEC method)	I_{FSM}	125							A
Maximum Instantaneous Forward Voltage @ 5.0A	V_F	1.3							V
Maximum DC Reverse Current @ $T_C=25^\circ\text{C}$ at Rated DC Blocking Voltage @ $T_C=125^\circ\text{C}$	I_R	5.0 100							uA uA
Maximum Reverse Recovery Time (Note 1)	T_{rr}	150				250	500		nS
Typical Junction Capacitance (Note 3)	C_j	40							pF
Typical Thermal Resistance $R_{\theta JC}$ (Note 2)	$R_{\theta JC}$	3.0							°C/W
Operating and Storage Temperature Range	T_J, T_{STG}	-65 to +150							°C

- Notes:
1. Reverse Recovery Test Conditions: $I_F=0.5A$, $I_R=1.0A$, $I_{RR}=0.25A$
 2. Thermal Resistance from Junction to Case Per Leg Mounted on Heatsink
Size 2" x 3" x 0.25" Al-Plate.
 3. Measured at 1MHz and Applied Reverse Voltage of 4.0 Volts D.C.



FR1001G-FR1007G

Isolated 10AMP. Glass Passivated Fast Recovery Rectifiers

RATINGS AND CHARACTERISTIC CURVES (FR1001G THRU FR1007G)

FIG.1- MAXIMUM FORWARD CURRENT DERATING CURVE

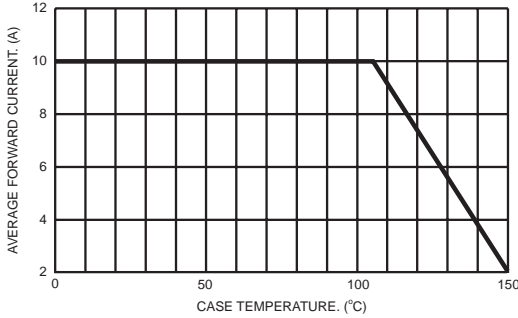


FIG.2- TYPICAL REVERSE CHARACTERISTICS PER LEG

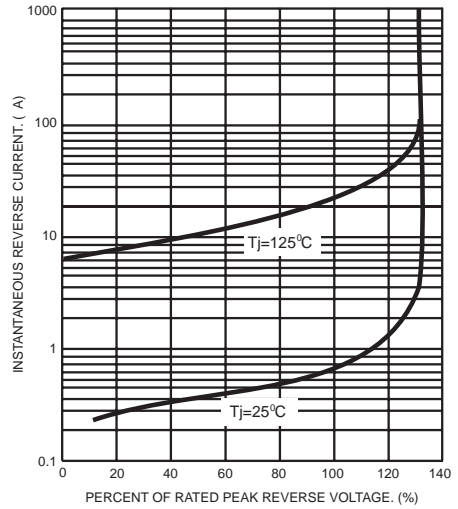


FIG.3- MAXIMUM NON-REPETITIVE FORWARD SURGE CURRENT

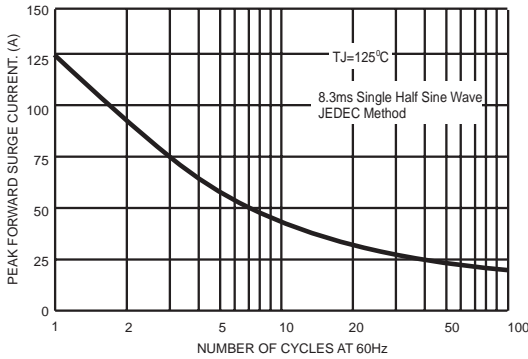


FIG.5- TYPICAL INSTANTANEOUS FORWARD CHARACTERISTICS PER LEG

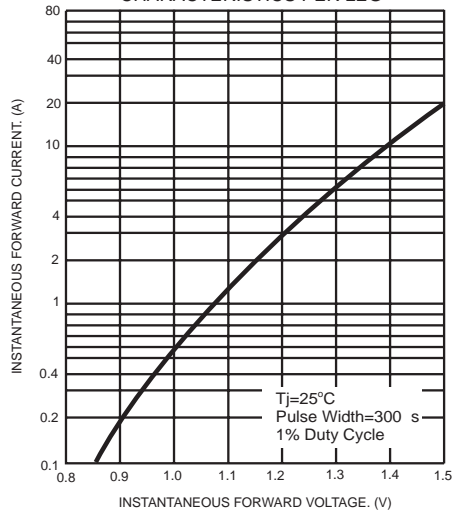


FIG.4- TYPICAL JUNCTION CAPACITANCE

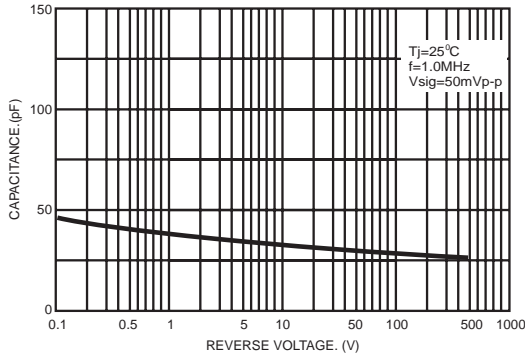


FIG.6- REVERSE RECOVERY TIME CHARACTERISTIC AND TEST CIRCUIT DIAGRAM

